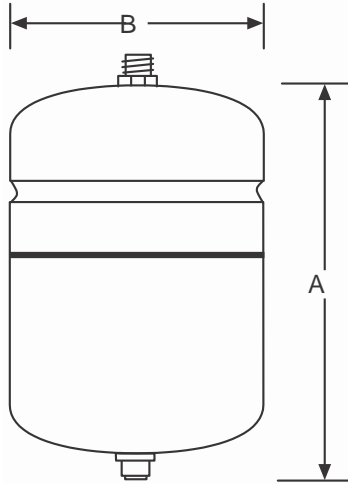


WELL-X-TROL®

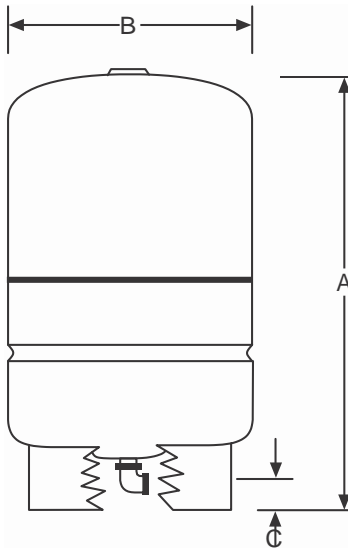
Pre-pressurized diaphragm-type well tanks
WX-100, 200, and 300 SERIES



In-Line Models

Model No.	Tank Vol.		Max. Accept. Factor	A Height		B Diameter		Sys. Conn. ¹	Factory Pre-charge PSIG	Working Pressure PSIG ²	Ship Wt.	
	Lit.	Gal		mm	ins.	mm	ins.				kg	lbs.
WX-101	8	2.0	0.45	321	12 ⁵ / ₈	203	8	3/4	18	100	2.3	5
WX-102	17	4.4	0.55	381	15	279	11	3/4	18	100	4.0	9
WX-103	33	7.6	0.42	629	22 ¹ / ₄	279	11	3/4	28	100	7.0	15
WX-104	39	10.3	1.00	451	17 ³ / ₄	390	15 ³ / ₈	1	38	125	9.0	20
WX-200	53	14.0	0.81	559	22	390	15 ³ / ₈	1	38	125	10.0	22

¹ System Connection: Stainless Steel Waterway. ² 100 PSIG is 689.5 kPa, 125 PSIG is 862 kPa



Stand Models

Model No.	Tank Vol.		Max. Accept. Factor	A Height		B Diameter		C Conn.	Sys. Conn. ³	Factory Pre-charge PSIG	Working Pressure PSIG ²	Ship Wt.	
	Lit.	Gal		mm	ins.	mm	ins.					ins.	ins.
WX-104-S	39	10.3	1.00	489	19 ¹ / ₄	390	15 ³ / ₈	1 ¹³ / ₁₆	1	38	125	10.5	23
WX-201	53	14.0	0.81	606	23 ⁷ / ₈	390	15 ³ / ₈	1 ¹³ / ₁₆	1	38	125	11.4	25
WX-202	76	20.0	0.57	803	31 ⁵ / ₈	390	15 ³ / ₈	1 ¹³ / ₁₆	1	38	125	15.0	33
WX-202XL	98.4	26.0	0.44	971.5	38 ¹ / ₄	390	15 ³ / ₈	1 ¹³ / ₁₆	1	38	125	16.3	36
WX-203	121	32.0	0.35	1143	45	390	15 ³ / ₈	1 ¹³ / ₁₆	1	38	125	20.0	43
WX-205	129	34.0	1.00	752	29 ⁵ / ₈	559	22	2 ³ / ₁₆	1 ¹ / ₄	38	125	28.0	61
WX-250	167	44.0	0.77	914	36	559	22	2 ³ / ₁₆	1 ¹ / ₄	38	125	31.0	69
WX-251	235	62.0	0.55	1187	46 ³ / ₄	559	22	2 ³ / ₁₆	1 ¹ / ₄	38	125	41.0	92
WX-255	06.6	81.0	0.41	1432	56 ³ / ₈	558	22	2 ³ / ₁₆	1 ¹ / ₄	38	125	47.0	103
WX-302	326	86.0	0.54	1200	47 ¹ / ₄	660	26	2 ³ / ₁₆	1 ¹ / ₄	38	125	56.0	123
WX-350	450	19.0	0.39	1572	61 ⁷ / ₈	660	26	2 ³ / ₁₆	1 ¹ / ₄	38	125	75.0	166

² 125 PSIG is 862 kPa

³ System Connection: Stainless Steel.

Max. Operating Conditions

Operating Temperature	200° F (93° C)
-----------------------	----------------

Complies with Low Lead Plumbing Law

Specifications

Description	Standard Construction
Diaphragm	Heavy Duty Butyl
Liner	Polypropylene
Coating	Blue Enamel ⁴

⁴ Unless TUF-KOTE™ is specified. All dimensions are approximate.



Job Name _____
 Location _____

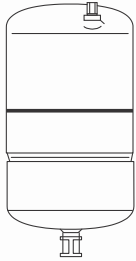
 Engineer _____
 Contractor _____
 Contractor P.O. No. _____
 Sales Representative _____

Model No. Ordered _____
 Pump Cut-In _____ PSI Pump Cut-Out _____ PSI
 Pump GPM _____ PSI

WELL-X-TROL®

Pre-pressurized diaphragm-type well tanks

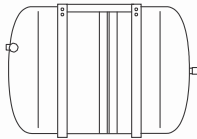
Underground Models



Model No.	Tank Vol.		Max. Accept. Factor	Height		Diameter		Sys. Conn. ¹ ins.	Factory Precharge PSIG	Ship Wt.	
	Lit.	Gal		mm	ins.	mm	ins.			kg	lbs.
WX-200-UG	53	14.0	0.81	559	22	390	15 ³ / ₈	1	38	10.0	22
WX-202-UG	76	20.0	0.57	726	30	390	15 ³ / ₈	1	38	13.6	30
WX-250-UG	167	44.0	0.77	848	33 ³ / ₈	559	22	1 ¹ / ₄	38	27.0	60
WX-251-UG	235	62.0	0.55	1121	44 ¹ / ₈	559	22	1 ¹ / ₄	38	38.0	83

¹ **System Connection:** Stainless Steel Coupling. **Coating** on underground models is an epoxy-based paint.
Working Pressure: 125 PSIG (862 kPa)

Pump Stand Models



Model No.	Tank Vol.		Max. Accept. Factor	Height		Width		Length		Sys Conn. ² ins.	Factory Precharge PSIG	Ship Wt.	
	Lit.	Gal		mm	ins.	mm	ins.	mm	ins.			kg	lbs.
WX-102-PS	17	4.4	0.55	318	12 ¹ / ₂	235	9 ¹ / ₄	362	14 ¹ / ₄	³ / ₄	18	6	13
WX-105-PS	20	5.3	0.80	279	11	268	10 ⁹ / ₁₆	464	18 ¹ / ₄	³ / ₄	18	6	13
WX-200-PS	53	14.0	0.81	407	16	391	15 ³ / ₈	530	20 ⁷ / ₈	1	28	13	29

² **System Connection:** Stainless Steel Waterway.
Working Pressure: WX-105-PS 100 PSIG (689.5 kPa); WX-200-PS 125 PSIG (862 kPa)

Maximum Operating Conditions

Operating Temperature	200° F (93° C)
Working Pressure Model WX-105 PS	100 PSIG (689.5 kPa)
Working Pressure Models WX-200 UG through WX-251-UG, WX-200-PS	125 PSIG (862 kPa)

Complies with Low Lead Plumbing Law

Specifications

Description	Standard Construction
Shell	Steel
Diaphragm	Heavy Duty Butyl
Liner	Polypropylene
Coating	WX-105-PS, WX-200-PS Blue Enamel Underground Models, see note ¹ .

All dimensions are approximate.

Job Name _____

Location _____

Engineer _____

Contractor _____

Contractor P.O. No. _____

Sales Representative _____

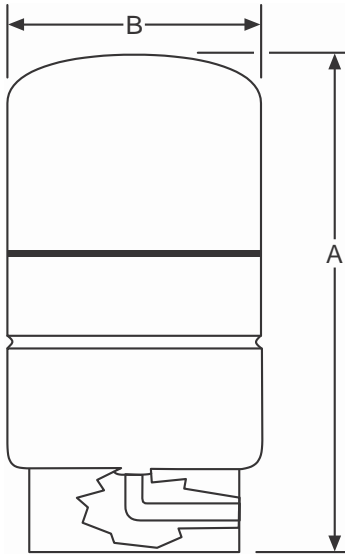
Model No. Ordered _____

Pump Cut-In _____ PSI Pump Cut-Out _____ PSI

Pump GPM _____ PSI

WELL-X-TROL® PRO Access®

Pre-pressurized diaphragm-type well tanks
Stainless steel system connection piped to the stand



Stand Models

Model No.	Tank Vol.		Max. Accept. Factor	A Height		B Diameter		Sys. Conn. ins.	Factory Pre-charge PSIG	Working Pressure PSIG ¹	Ship Wt.	
	Lit.	Gal		mm	ins.	mm	ins.				kg	lbs.
WX-202P	76	20.0	0.57	803	31 ⁵ / ₈	390	15 ³ / ₈	1	38	125	15.0	33
WX-202XLP	98.4	26.0	0.44	971	38 ¹ / ₄	390.5	15 ³ / ₈	1	38	125	16.3	36
WX-205P	129	34.0	1.00	752	29 ⁵ / ₈	559	22	1 ¹ / ₄	38	125	28.0	61
WX-250P	167	44.0	0.77	914	36	559	22	1 ¹ / ₄	38	125	31.0	69
WX-251P	235	62.0	0.55	1187	46 ³ / ₄	559	22	1 ¹ / ₄	38	125	41.0	92
WX-255P	306	81.0	0.41	1432	56 ³ / ₈	558.8	22	1 ¹ / ₄	38	125	38.4	103
WX-302P	326	86.0	0.54	1200	47 ¹ / ₄	660	26	1 ¹ / ₄	38	125	56.0	123
WX-350P	450	119.0	0.39	1572	61 ⁷ / ₈	660	26	1 ¹ / ₄	38	125	75.0	166

¹ 125 PSIG is 862 kPa.

Max. Operating Conditions

Operating Temperature	200° F (93° C)
Working Pressure	125 PSIG (862 kPa)



NSF/ANSI 61

Complies with Low Lead Plumbing Law

Specifications

Description	Standard Construction
Shell	Steel
Diaphragm	Butyl
Liner	Polypropylene
System Connection	Stainless Steel NPTF

Job Name _____

Location _____

Engineer _____

Contractor _____

Contractor P.O. No. _____

Sales Representative _____

Model No. Ordered _____

Pump Cut-In _____ PSI Pump Cut-Out _____ PSI

Pump GPM _____ PSI

www.koch-membranes.com
www.codelinehousings.com
www.bigmembrane.com
www.toraymembranes.com
www.dairymembranes.com
www.amtrol-tanks.com

www.easternro.com
www.dairymembranes.com
www.gemembranes.com
www.hydranauticsmembrane.com
www.rosave.com